

9-19 离心通风机性能与选用件表

| 机号 No. | 转速 r/min | 序 号 | 流量 m ³ /h | 全压 Pa | 所需 功率 kW | 电 动 机 | | | |
|-----------|-------------|--------|-------------------------|----------|----------------|-----------------------|----------|-----------------------|--------------|
| | | | | | | 型 号 | 功率 kW | 联 接 螺 栓 (4 套) | 垫 片 (4 个) |
| 4A | 2900 | 1 | 824 | 3584 | 1.5 | Y90L-2 | 2.2 | M8×40 | 12×36 |
| | | 2 | 970 | 3665 | 1.7 | | | | |
| | | 3 | 1116 | 3647 | 1.9 | | | | |
| | | 4 | 1264 | 3597 | 2.1 | | | | |
| | | 5 | 1410 | 3507 | 2.3 | Y100L-2 | 3 | M10×45 | |
| | | 6 | 1558 | 3384 | 2.6 | | | | |
| | | 7 | 1704 | 3253 | 2.6 | | | | |
| 4.5A | 2900 | 1 | 1174 | 4603 | 2.5 | Y112M-2 | 4 | M10×45 | 12×50 |
| | | 2 | 1397 | 4684 | 2.9 | | | | |
| | | 3 | 1616 | 4672 | 3.2 | | | | |
| | | 4 | 1839 | 4580 | 3.6 | | | | |
| | | 5 | 2062 | 4447 | 3.9 | | | | |
| | | 6 | 2281 | 4297 | 4.4 | Y132S ₁ -2 | 5.5 | | |
| | | 7 | 2504 | 4112 | 4.8 | | | | |
| 5A | 2900 | 1 | 1610 | 5697 | 4.1 | Y132S ₁ -2 | 5.5 | M10×45 | 12×50 |
| | | 2 | 1932 | 5768 | 4.8 | | | | |
| | | 3 | 2254 | 5740 | 5.4 | | | | |
| | | 4 | 2576 | 5639 | 5.8 | Y132S ₂ -2 | 7.5 | | |
| | | 5 | 2844 | 5517 | 6.4 | | | | |
| | | 6 | 3166 | 5323 | 7.1 | | | | |
| | | 7 | 3488 | 5080 | 7.9 | | | Y160M ₁ -2 | |
| 5.6A | 2900 | 1 | 2262 | 7182 | 7.0 | Y160M ₁ -2 | 11 | M12×50 | 19×70 |
| | | 2 | 2714 | 7273 | 8.1 | | | | |
| | | 3 | 3167 | 7236 | 9.1 | | | | |
| | | 4 | 3619 | 7109 | 10.2 | Y160M ₂ -2 | 15 | | |
| | | 5 | 3996 | 6954 | 11.2 | | | | |
| | | 6 | 4448 | 6709 | 12.5 | | | | |
| | | 7 | 4901 | 6400 | 13.9 | | | | |
| 6.3A | 2900 | 1 | 3220 | 9149 | 12.5 | Y160M ₂ -2 | 15 | M12×50 | 19×70 |
| | | 2 | 3865 | 9265 | 14.5 | | | | |
| | | 3 | 4509 | 9219 | 16.4 | Y160L-2 | 18.5 | | |
| | | 4 | 5153 | 9055 | 18.4 | | | | |
| | | 5 | 5690 | 8857 | 20.2 | Y180M-2 | 22 | | |
| | | 6 | 6334 | 8543 | 22.5 | | | | |
| | | 7 | 6978 | 8148 | 25.1 | Y200L ₁ -2 | 30 | M16×60 | |

9-19 离心通风机性能与选用件表

| 机号 No. | 转速 r/min | 序 号 | 流量 m ³ /h | 全压 Pa | 所需 功率 kW | 电 动 机 | | | 联 轴 器 (1套) | |
|-----------|-------------|--------|-------------------------|----------|----------------|-----------------------|-----------|--|--|--|
| | | | | | | 型 号 | 功 率 kW | 地 脚 螺 栓 (4套) | | |
| 7.1D | 2900 | 1 | 4610 | 11717 | 23.3 | Y200L ₂ -2 | 37 | M16×400 | Q ₅ Y $\frac{55 \times 110}{65 \times 140}$ | |
| | | 2 | 5532 | 11868 | 27.0 | | | | | |
| | | 3 | 6454 | 11807 | 30.5 | | | | | |
| | | 4 | 7376 | 11596 | 34.1 | | | | | |
| | | 5 | 8144 | 11340 | 37.5 | Y225M-2 | 45 | | | |
| | | 6 | 9066 | 10935 | 41.8 | | | | | |
| | | 7 | 9988 | 10426 | 46.5 | Y250M-2 | 55 | M20×500 | | |
| 8D | 2900 | 1 | 6594 | 15034 | 42.3 | Y250M-2 | 55 | M20×500 | Q ₅ Y $\frac{60 \times 140}{65 \times 140}$ | |
| | | 2 | 7913 | 15229 | 49.0 | | | | | |
| | | 3 | 9232 | 15151 | 55.4 | | | | | |
| | | 4 | 10550 | 14877 | 62.0 | Y280S-2 | 75 | | | |
| | | 5 | 11649 | 14546 | 68.2 | Y280M-2 | 90 | | Q ₅ Y $\frac{65 \times 140}{65 \times 140}$ | |
| | | 6 | 12968 | 14021 | 75.9 | | | | | |
| | | 7 | 14287 | 13362 | 84.4 | | | | | |
| | 1 | 3297 | 3620 | 5.5 | Y132M-4 | | | 7.5 | | M10×220 |
| | 2 | 3957 | 3665 | 6.1 | | | | | | |
| | 3 | 4616 | 3647 | 6.9 | | | | | | |
| | 4 | 5275 | 3584 | 7.7 | Y160M-4 | 11 | M12×300 | Q ₅ Y $\frac{42 \times 110}{65 \times 140}$ | | |
| | 5 | 5825 | 3507 | 8.5 | | | | | | |
| | 6 | 6484 | 3384 | 9.5 | | | | | | |
| | 7 | 7144 | 3231 | 10.6 | | | | | | |
| 9D | 1450 | 1 | 4695 | 4597 | 9.5 | Y160L-4 | 15 | M12×300 | Q ₅ Y $\frac{42 \times 110}{65 \times 140}$ | |
| | | 2 | 5633 | 4655 | 11.0 | | | | | |
| | | 3 | 6572 | 4632 | 12.5 | | | | | |
| | | 4 | 7511 | 4551 | 14.0 | Y180L-4 | 18.5 | | Q ₅ Y $\frac{48 \times 110}{65 \times 140}$ | |
| | | 5 | 8294 | 4453 | 15.4 | | | | | |
| | | 6 | 9233 | 4297 | 17.1 | | | | | |
| | | 7 | 10171 | 4101 | 19.0 | | | | | |
| 10D | 1450 | 1 | 6440 | 5840 | 15.7 | Y180L-4 | 22 | M12×300 | Q ₅ Y $\frac{48 \times 110}{65 \times 140}$ | |
| | | 2 | 7942 | 5941 | 18.8 | | | | | |
| | | 3 | 9445 | 5891 | 21.8 | | | | | |
| | | 4 | 10947 | 5740 | 24.8 | Y200L-4 | 30 | | Q ₅ Y $\frac{55 \times 110}{65 \times 140}$ | |
| | | 5 | 12450 | 5495 | 28.0 | | | | | |
| | | 6 | 13952 | 5244 | 31.4 | Y225S-4 | 37 | | M16×400 | Q ₅ Y $\frac{60 \times 140}{65 \times 140}$ |
| | | 7 | 15455 | 4958 | 35.1 | | | | | |

9-19 离心通风机性能与选用件表

| 机号 No. | 转速 r/min | 序 号 | 流量 m ³ /h | 全压 Pa | 所需 功率 kW | 电 动 机 | | | 联 轴 器 (1套) |
|-----------|-------------|-----------------------|-------------------------|----------|--|-----------------------|-----------|-----------------|--|
| | | | | | | 型 号 | 功 率 kW | 地 脚 螺 栓 (4套) | |
| 11.2D | 1450 | 1 | 9047 | 7364 | 27.7 | Y225M-4 | 45 | M16×400 | Q ₆ Y $\frac{60 \times 140}{75 \times 140}$ |
| | | 2 | 11158 | 7491 | 33.2 | | | | |
| | | 3 | 13269 | 7428 | 38.4 | | | | |
| | | 4 | 15380 | 7236 | 43.7 | Y250M-4 | 55 | M20×500 | Q ₆ Y $\frac{65 \times 140}{75 \times 140}$ |
| | | 5 | 17491 | 6927 | 49.3 | | | | |
| | | 6 | 19602 | 6609 | 55.4 | Y280S-4 | 75 | M20×500 | Q ₆ Y $\frac{75 \times 140}{75 \times 140}$ |
| | | 7 | 21713 | 6246 | 61.8 | | | | |
| | 960 | Y180L-6 | 15 | M12×300 | Q ₆ Y $\frac{48 \times 110}{75 \times 140}$ | 1 | 5990 | 3182 | 8.0 |
| | | | | | | 2 | 7388 | 3237 | 9.6 |
| | | | | | | 3 | 8785 | 3210 | 11.2 |
| | | 4 | 10182 | 3128 | 12.7 | Y200L ₁ -6 | 18.5 | M16×400 | Q ₆ Y $\frac{55 \times 110}{75 \times 140}$ |
| | | 5 | 11580 | 2996 | 14.3 | | | | |
| | | 6 | 12978 | 2860 | 16.1 | | | | |
| | | 7 | 14375 | 2705 | 17.9 | | | | |
| 12.5D | 1450 | Y280S-4 | 75 | M20×500 | Q ₆ Y $\frac{75 \times 140}{75 \times 140}$ | 1 | 12577 | 9229 | 47.9 |
| | | | | | | 2 | 15512 | 9390 | 57.4 |
| | | | | | | 3 | 18447 | 9310 | 66.6 |
| | | 4 | 21381 | 9068 | 75.6 | Y280M-4 | 90 | M20×500 | Q ₆ Y $\frac{75 \times 140}{75 \times 140}$ |
| | | 5 | 24316 | 8678 | 85.4 | | | | |
| | | 6 | 27251 | 8278 | 95.9 | Y315S-4 | 110 | M24×630 | Q ₆ Y $\frac{80 \times 170}{75 \times 140}$ |
| | | 7 | 30186 | 7822 | 107.0 | | | | |
| | 960 | Y200L ₁ -6 | 18.5 | M16×400 | Q ₆ Y $\frac{55 \times 110}{75 \times 140}$ | 1 | 8327 | 3975 | 13.9 |
| | | | | | | 2 | 10270 | 4043 | 16.7 |
| | | 3 | 12213 | 4009 | 19.3 | Y200L ₂ -6 | 22 | M16×400 | Q ₆ Y $\frac{55 \times 110}{75 \times 140}$ |
| | | 4 | 14156 | 3907 | 21.9 | | | | |
| | | 5 | 16099 | 3741 | 24.8 | Y225M-6 | 30 | M16×400 | Q ₆ Y $\frac{60 \times 140}{75 \times 140}$ |
| | | 6 | 18042 | 3571 | 27.8 | | | | |
| | | 7 | 19985 | 3377 | 31.1 | Y250M-6 | 37 | M20×500 | Q ₆ Y $\frac{65 \times 140}{75 \times 140}$ |

9-19 离心通风机性能与选用件表

| 机号 No. | 转速 r/min | 序 号 | 流量 m ³ /h | 全压 Pa | 所需 功率 kW | 电 动 机 | | | 联 轴 器 (1套) |
|-----------|-------------|--------|-------------------------|----------|----------------|-----------------------|------------|-----------------|--|
| | | | | | | 型 号 | 功 率 kW | 地 脚 螺 栓 (4套) | |
| 14D | 1450 | 1 | 17670 | 11668 | 84.5 | Y315M-4 | 132 | M24×630 | Q ₇ Y $\frac{80 \times 170}{95 \times 170}$ |
| | | 2 | 21793 | 11874 | 101.2 | | | | |
| | | 3 | 25916 | 11771 | 117.3 | | | | |
| | | 4 | 30040 | 11464 | 133.3 | Y315L ₁ -4 | 160 | | |
| | | 5 | 34163 | 10967 | 150.5 | | | | |
| | | 6 | 38286 | 10457 | 169.1 | Y315L ₂ -4 | 200 | | |
| | | 7 | 42409 | 9878 | 188.6 | | | | |
| | 960 | 1 | 11699 | 5004 | 24.5 | Y250M-6 | 37 | M20×500 | Q ₇ Y $\frac{65 \times 140}{95 \times 170}$ |
| | | 2 | 14428 | 5090 | 29.4 | | | | |
| | | 3 | 17158 | 5047 | 34.0 | | | | |
| | | 4 | 19888 | 4917 | 38.7 | Y280S-6 | 45 | | |
| | | 5 | 22618 | 4709 | 43.7 | | | | |
| | | 6 | 25348 | 4494 | 49.1 | Y280M-6 | 55 | | |
| | | 7 | 28078 | 4249 | 54.7 | | | | |
| 16D | 1450 | 1 | 26377 | 15425 | 164.6 | Y355M ₁ -4 | 220 | M24×630 | Q ₈ Y $\frac{95 \times 170}{95 \times 170}$ |
| | | 2 | 32531 | 15700 | 197.2 | | | | |
| | | 3 | 38686 | 15563 | 228.7 | Y355M ₂ -4 | 250 | | |
| | | 4 | 44841 | 15151 | 259.9 | | | | |
| | | 5 | 50995 | 14488 | 293.3 | Y355L ₂ -4 | 315 | | |
| | | 6 | 57150 | 13808 | 329.6 | | | | |
| | | 7 | 63305 | 13035 | 367.6 | Y400-4 (6000V) | 355 400 | | |
| | 960 | 1 | 17463 | 6570 | 47.8 | | | Y315S-6 | 75 |
| | | 2 | 21538 | 6683 | 57.2 | | | | |
| | | 3 | 25613 | 6627 | 66.4 | | | | |
| | | 4 | 29687 | 6456 | 75.4 | Y315M-6 | 90 | | |
| | | 5 | 33762 | 6180 | 85.1 | | | | |
| | | 6 | 37837 | 5898 | 95.7 | Y315L ₁ -6 | 110 | | |
| | | 7 | 41912 | 5575 | 106.7 | | | | |

9-26 离心通风机性能与选用件表

| 机号 No. | 转速 r/min | 序 号 | 流量 m ³ /h | 全压 Pa | 所需 功率 kW | 电 动 机 | | | |
|-----------|-------------|--------|-------------------------|----------|----------------|-----------------------|----------|-----------------|-------------|
| | | | | | | 型 号 | 功率 kW | 联 接 螺 栓 (4套) | 垫 片 (4个) |
| 4A | 2900 | 1 | 2198 | 3852 | 3.7 | Y112M-2 | 4 | M10×45 | 12×50 |
| | | 2 | 2368 | 3820 | 3.9 | | | | |
| | | 3 | 2536 | 3765 | 4.1 | | | | |
| | | 4 | 2706 | 3684 | 4.4 | Y132S ₁ -2 | 5.5 | | |
| | | 5 | 2877 | 3607 | 4.6 | | | | |
| | | 6 | 3044 | 3502 | 4.9 | | | | |
| | | 7 | 3215 | 3407 | 5.2 | | | | |
| 4.5A | 2900 | 1 | 3130 | 4910 | 6.3 | Y132S ₂ -2 | 7.5 | M10×45 | 12×50 |
| | | 2 | 3407 | 4863 | 6.8 | | | | |
| | | 3 | 3685 | 4776 | 7.2 | | | | |
| | | 4 | 3963 | 4661 | 7.6 | Y160M ₁ -2 | 11 | | |
| | | 5 | 4237 | 4545 | 8.1 | | | | |
| | | 6 | 4515 | 4412 | 8.7 | | | | |
| | | 7 | 4792 | 4256 | 9.2 | | | | |
| 5A | 2900 | 1 | 4293 | 6035 | 10.5 | Y160M ₂ -2 | 15 | M12×50 | 19×70 |
| | | 2 | 4706 | 5984 | 11.3 | | | | |
| | | 3 | 5114 | 5869 | 12.0 | | | | |
| | | 4 | 5527 | 5725 | 12.9 | Y160L-2 | 18.5 | | |
| | | 5 | 5941 | 5553 | 13.8 | | | | |
| | | 6 | 6349 | 5381 | 14.7 | | | | |
| | | 7 | 6762 | 5180 | 15.7 | | | | |
| 5.6A | 2900 | 1 | 6032 | 7610 | 18.5 | Y180M-2 | 22 | M12×50 | 19×70 |
| | | 2 | 6612 | 7546 | 19.9 | | | | |
| | | 3 | 7185 | 7400 | 21.2 | | | | |
| | | 4 | 7766 | 7218 | 22.8 | Y200L ₁ -2 | 30 | | |
| | | 5 | 8346 | 7000 | 24.3 | | | | |
| | | 6 | 8919 | 6781 | 26.6 | | | | |
| | | 7 | 9500 | 6527 | 27.7 | | | | |
| 6.3A | 2900 | 1 | 8588 | 9698 | 33.3 | Y225M-2 | 45 | M16×60 | 19×70 |
| | | 2 | 9415 | 9616 | 35.8 | | | | |
| | | 3 | 10230 | 9429 | 38.3 | | | | |
| | | 4 | 11056 | 9195 | 41.0 | Y250M-2 | 55 | | |
| | | 5 | 11883 | 8915 | 43.8 | | | | |
| | | 6 | 12699 | 8636 | 46.8 | | | | |
| | | 7 | 13525 | 8310 | 49.9 | | | | |

9-26 离心通风机性能与选用件表

| 机号 No. | 转速 r/min | 序 号 | 流量 m ³ /h | 全压 Pa | 所需 功率 kW | 电 动 机 | | | 联 轴 器 (1套) | | |
|-----------|-------------|--------|-------------------------|----------|----------------|-----------------------|-----------|-----------------|--|---------|--|
| | | | | | | 型 号 | 功 率 kW | 地 脚 螺 栓 (4套) | | | |
| 7.1D | 2900 | 1 | 12292 | 12427 | 61.8 | Y280S-2 | 75 | M20×500 | Q ₅ Y $\frac{65 \times 140}{65 \times 140}$ | | |
| | | 2 | 13475 | 12321 | 66.4 | | | | | | |
| | | 3 | 14643 | 12078 | 71.0 | | | | | | |
| | | 4 | 15826 | 11776 | 76.1 | Y280M-2 | 90 | | | | |
| | | 5 | 17009 | 11415 | 81.3 | | | | | | |
| | | 6 | 18177 | 11055 | 86.8 | | | | | | |
| | | 7 | 19360 | 10635 | 92.5 | Y315S-2 | 110 | M24×630 | | | |
| 8D | 2900 | 1 | 17584 | 15955 | 112.3 | Y315M-2 | 132 | M24×630 | Q ₅ Y $\frac{65 \times 140}{65 \times 140}$ | | |
| | | 2 | 19277 | 15818 | 120.5 | | | | | | |
| | | 3 | 20947 | 15504 | 128.9 | | | | | | |
| | | 4 | 22640 | 15112 | 138.2 | Y315L ₁ -2 | 160 | | | | |
| | | 5 | 24332 | 14644 | 147.7 | | | | | | |
| | | 6 | 26003 | 14177 | 157.6 | | | | | | |
| | | 7 | 27696 | 13634 | 168.0 | Y315L ₂ -2 | 200 | | | | |
| | 1450 | 1450 | 1 | 8792 | 3834 | 14.0 | Y180M-4 | 18.5 | | M12×300 | Q ₅ Y $\frac{48 \times 110}{65 \times 140}$ |
| | | | 2 | 9639 | 3802 | 15.1 | | | | | |
| | | | 3 | 10473 | 3729 | 16.1 | | | | | |
| | | | 4 | 11320 | 3638 | 17.3 | Y180L-4 | 22 | | | |
| | | | 5 | 12166 | 3529 | 18.5 | | | | | |
| | | | 6 | 13001 | 3421 | 19.7 | | | | | |
| | | | 7 | 13848 | 3294 | 21.0 | | | | | |
| 9D | 1450 | 1 | 12518 | 4869 | 25.3 | Y200L-4 | 30 | M16×400 | Q ₅ Y $\frac{55 \times 110}{65 \times 140}$ | | |
| | | 2 | 13723 | 4828 | 27.2 | | | | | | |
| | | 3 | 14913 | 4736 | 29.0 | | | | | | |
| | | 4 | 16118 | 4620 | 31.1 | Y225S-4 | 37 | | | | |
| | | 5 | 17322 | 4481 | 33.3 | | | | | | |
| | | 6 | 18512 | 4343 | 35.5 | | | | | | |
| | | 7 | 19717 | 4181 | 37.8 | Y225M-4 | 45 | | | | |
| 10D | 1450 | 1 | 17172 | 6143 | 41.9 | Y250M-4 | 55 | M20×500 | Q ₆ Y $\frac{65 \times 140}{65 \times 140}$ | | |
| | | 2 | 19319 | 6056 | 46.0 | | | | | | |
| | | 3 | 21465 | 5920 | 50.5 | | | | | | |
| | | 4 | 23612 | 5761 | 55.3 | Y280S-4 | 75 | | | | |
| | | 5 | 25758 | 5560 | 60.3 | | | | | | |
| | | 6 | 27905 | 5309 | 65.0 | | | | | | |
| | | 7 | 30052 | 5065 | 69.6 | | | | | | |

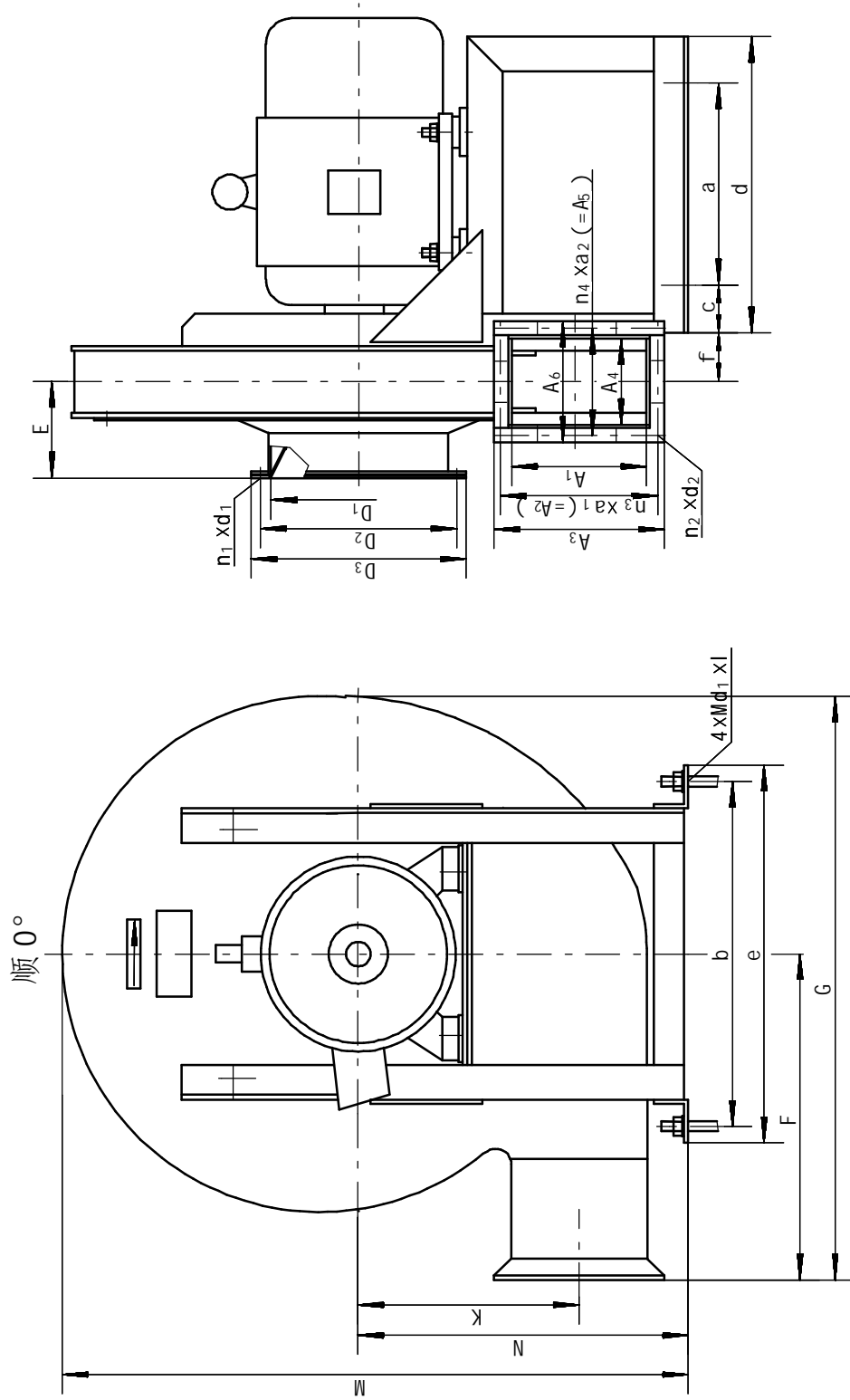
9-26 离心通风机性能与选用件表

| 机号 No. | 转速 r/min | 序 号 | 流量 m ³ /h | 全压 Pa | 所需 功率 kW | 电 动 机 | | | 联 轴 器 (1套) | |
|-----------|-------------|--------|-------------------------|----------|----------------|-----------------------|-----------|---|--|---------|
| | | | | | | 型 号 | 功 率 kW | 地 脚 螺 栓 (4套) | | |
| 11.2D | 1450 | 1 | 24126 | 7747 | 73.8 | Y280M-4 | 90 | M20×500 | Q ₆ Y $\frac{75 \times 140}{75 \times 140}$ | |
| | | 2 | 27142 | 7637 | 81.0 | | | | | |
| | | 3 | 30157 | 7464 | 89.0 | | | | | |
| | | 4 | 33173 | 7264 | 97.4 | Y315S-4 | 110 | M24×630 | | |
| | | 5 | 36189 | 7009 | 106.2 | | | | | |
| | | 6 | 39205 | 6691 | 114.5 | Y315M-4 | 132 | M24×630 | | |
| | | 7 | 42221 | 6382 | 122.7 | | | | | |
| | 960 | 1 | 15973 | 3346 | 21.4 | Y225M-6 | 30 | M16×400 | Q ₆ Y $\frac{60 \times 140}{75 \times 140}$ | |
| | | 2 | 17969 | 3299 | 23.5 | | | | | |
| | | 3 | 19966 | 3225 | 25.8 | | | | | |
| | | 4 | 21963 | 3140 | 28.3 | Y250M-6 | 37 | M20×500 | | |
| | | 5 | 23959 | 3031 | 30.8 | | | | | |
| | | 6 | 25956 | 2895 | 33.2 | | | | | |
| | | 7 | 27953 | 2763 | 35.6 | | | | | |
| 12.5D | 1450 | 1 | 33540 | 9713 | 127.8 | Y315L ₁ -4 | 160 | M24×630 | Q ₇ Y $\frac{80 \times 170}{75 \times 140}$ | |
| | | 2 | 37732 | 9575 | 140.3 | | | | | |
| | | 3 | 41925 | 9356 | 154.1 | | | | | |
| | | 4 | 46117 | 9103 | 168.7 | Y315L ₂ -4 | 200 | | | M24×630 |
| | | 5 | 50310 | 8782 | 183.9 | | | | | |
| | | 6 | 54503 | 8381 | 198.2 | Y355M ₁ -4 | 220 | | | M24×630 |
| | | 7 | 58695 | 7993 | 212.5 | | | | | |
| | 960 | 1 | 22206 | 4179 | 37.1 | Y280S-6 | 45 | M20×500 | Q ₆ Y $\frac{75 \times 140}{75 \times 140}$ | |
| | | 2 | 24981 | 4121 | 40.7 | | | | | |
| | | 3 | 27757 | 4028 | 44.7 | | | | | |
| | | 4 | 30533 | 3921 | 49.0 | Y280M-6 | 55 | | | M20×500 |
| | | 5 | 33309 | 3785 | 53.4 | | | | | |
| | | 6 | 36084 | 3615 | 57.5 | Y315S-6 | 75 | | | M24×630 |
| | | 7 | 38860 | 3450 | 61.7 | | | | | |
| 14D | 1450 | 1 | 47121 | 12285 | 225.2 | Y355M ₂ -4 | 250 | M24×630 | Q ₈ Y $\frac{95 \times 170}{95 \times 170}$ | |
| | | 2 | 53011 | 12109 | 247.3 | | | | | |
| | | 3 | 58902 | 11830 | 271.5 | Y355L ₁ -4 | 280 | | | |
| | | 4 | 64792 | 11508 | 297.3 | Y355L ₂ -4 | 315 | | | |
| | | 5 | 70682 | 11099 | 324.1 | Y400-4 (6000V) | 355 | | | M24×630 |
| | | 6 | 76572 | 10589 | 349.3 | | | | | |
| | | 7 | 82463 | 10095 | 374.5 | | | | | |
| | | | | | | 400 | | Q ₈ Y $\frac{110 \times 210}{95 \times 170}$ | | |

9-26 离心通风机性能与选用件表

| 机号 No. | 转速 r/min | 序 号 | 流量 m ³ /h | 全压 Pa | 所需 功率 kW | 电 动 机 | | | 联 轴 器 (1套) | |
|-----------|-------------|--------|-------------------------|-----------------------|----------------|-----------------------|-----------------------|-----------------|---|---|
| | | | | | | 型 号 | 功 率 kW | 地 脚 螺 栓 (4套) | | |
| 14D | 960 | 1 | 31197 | 5262 | 65.4 | Y315S-6 | 75 | M24×630 | Q ₇ Y $\frac{80 \times 170}{95 \times 170}$ | |
| | | 2 | 35097 | 5188 | 71.8 | | | | | |
| | | 3 | 38997 | 5071 | 78.8 | Y315M-6 | 90 | | | |
| | | 4 | 42897 | 4936 | 86.3 | | | | | |
| | | 5 | 46796 | 4764 | 94.0 | Y315L ₁ -6 | 110 | | | |
| | | 6 | 50696 | 4549 | 101.4 | | | | | |
| | | 7 | 54596 | 4341 | 108.7 | | | | | |
| 16D | 1450 | 1 | 70339 | 16250 | 439.1 | Y450-4 (6000V) | 500 | M30×800 | B ₈ Y $\frac{120 \times 210}{95 \times 170}$ | |
| | | 2 | 79131 | 16014 | 482.2 | | 560 | | | |
| | | 3 | 87923 | 15640 | 529.4 | | 630 | | | |
| | | 4 | 96716 | 15210 | 579.6 | | 710 | | | |
| | | 5 | 105500 | 14663 | 631.8 | | | | | |
| | | 6 | 114300 | 13983 | 681.0 | | | | | |
| | 960 | 960 | 7 | 123090 | 13324 | 730.2 | Y500-4 (6000V) | 800 | M36×1000 | B ₈ Y $\frac{130 \times 250}{95 \times 170}$ |
| | | | 1 | 46569 | 6911 | 127.4 | Y355M ₁ -6 | 160 | M24×630 | Q ₈ Y $\frac{95 \times 170}{95 \times 170}$ |
| | | | 2 | 52390 | 6813 | 139.9 | | | | |
| | | | 3 | 58211 | 6659 | 153.6 | Y355M ₂ -6 | 185 | | |
| | | | 4 | 64032 | 6481 | 168.2 | | | | |
| | | | 5 | 69854 | 6254 | 183.3 | Y355M ₃ -6 | 200 | | |
| | | | 6 | 75675 | 5971 | 197.6 | | | | |
| 7 | 81496 | 5696 | 211.9 | Y355L ₁ -6 | 220 | | | | | |

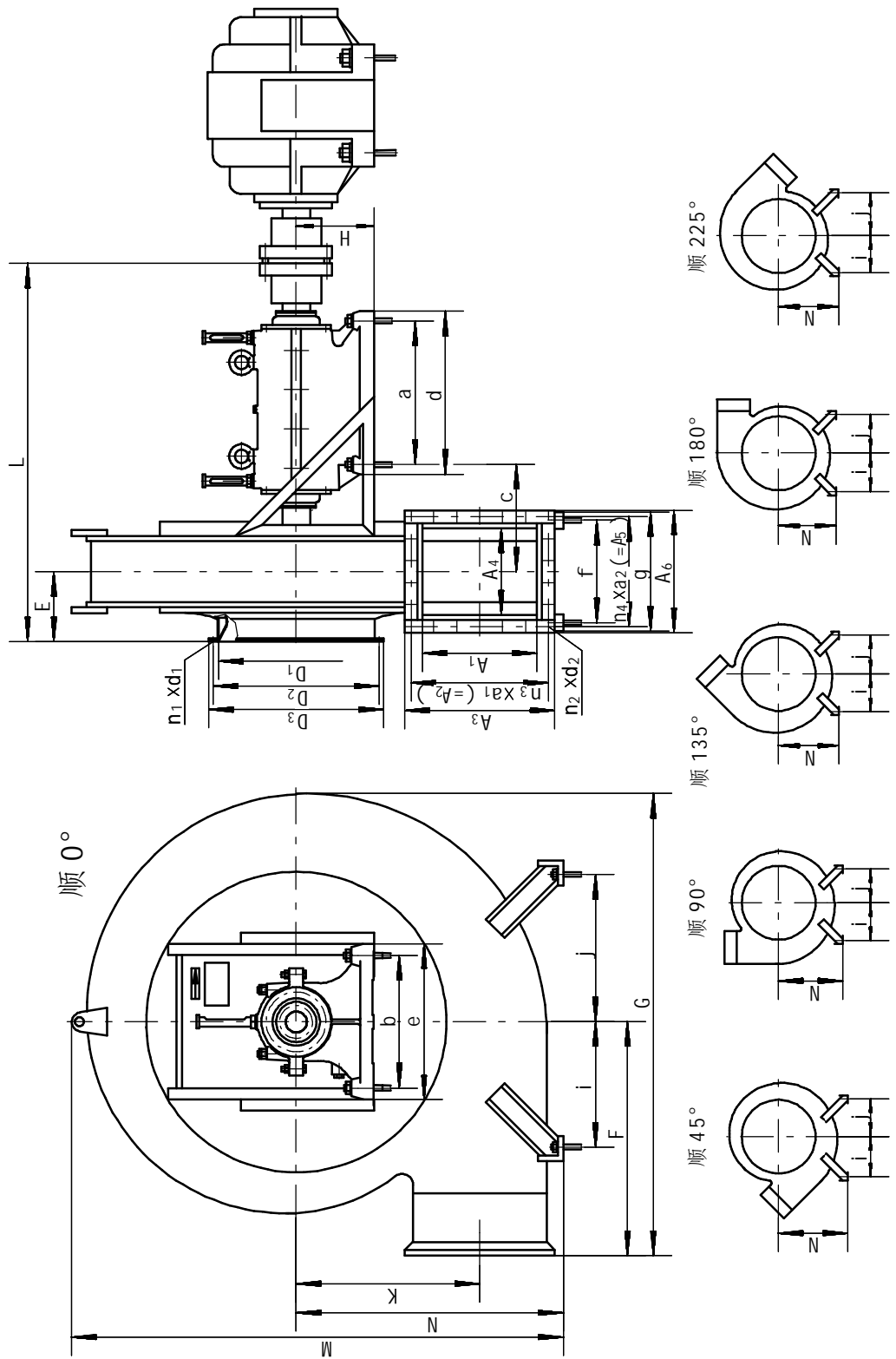
9-19 系列 No.4 ~ 6.3A 离心通风机安装及外形尺寸示意图
 9-26



9-19系列 No.4~6.3A 离心通风机安装及外形尺寸表

| 系列 | 机号 No. | 进 口 尺 寸 | | | | 出 口 尺 寸 | | | | | | | | | |
|------|-----------|----------------|----------------|----------------|--------------------------------|----------------|---|----------------|----------------|---|----------------|--------------------------------|--------------|----------------------|--------------------|
| | | D ₁ | D ₂ | D ₃ | n ₁ ×d ₁ | A ₁ | n ₃ ×a ₁ (=A ₂) | A ₃ | A ₄ | n ₄ ×a ₂ (=A ₅) | A ₆ | n ₂ ×d ₂ | | | |
| 9-19 | 4 | φ 180 | φ 205 | φ 230 | 8×φ 7 | 128 | 4×40(=160) | 182 | 92 | 3×42(=126) | 148 | 14×φ 7 | | | |
| | 4.5 | φ 200 | φ 225 | φ 250 | 8×φ 7 | 144 | 4×44(=176) | 198 | 104 | 3×45(=135) | 160 | 14×φ 7 | | | |
| | 5 | φ 224 | φ 254 | φ 284 | 8×φ 7 | 160 | 4×48(=192) | 214 | 115 | 3×50(=150) | 171 | 14×φ 7 | | | |
| | 5.6 | φ 250 | φ 280 | φ 310 | 8×φ 10 | 179 | 4×53(=212) | 233 | 129 | 3×54(=162) | 185 | 14×φ 7 | | | |
| | 6.3 | φ 280 | φ 320 | φ 360 | 8×φ 10 | 202 | 4×59(=236) | 258 | 145 | 3×60(=180) | 204 | 14×φ 7 | | | |
| | 机号 No. | 外 形 尺 寸 | | | | | 基 础 尺 寸 | | | | | | 地脚螺栓 (四套) | 重量 kg (不包括 电机) | |
| | | E | F | G | K | M | N | a | b | c | d | e | f | | Md ₁ ×1 |
| | 4 | 100 | 271 | 599 | 286 | 718 | 420 | 200 | 350 | 50 | 300 | 385 | 35 | M12×300 | 43 |
| | 4.5 | 110 | 303 | 671 | 322 | 782 | 450 | 200 | 390 | 50 | 300 | 430 | 39 | M12×300 | 54 |
| | 5 | 126 | 335 | 743 | 358 | 868 | 500 | 280 | 450 | 50 | 380 | 495 | 43 | M12×300 | 66 |
| | 5.6 | 140 | 375 | 831 | 401 | 962 | 550 | 350 | 485 | 50 | 450 | 534 | 48 | M12×300 | 90 |
| | 6.3 | 157 | 423 | 936 | 451 | 1085 | 620 | 450 | 570 | 60 | 570 | 626 | 55 | M16×400 | 138 |
| 9-26 | 机号 No. | 进 口 尺 寸 | | | | 出 口 尺 寸 | | | | | | | | | |
| | | D ₁ | D ₂ | D ₃ | n ₁ ×d ₁ | A ₁ | n ₃ ×a ₁ (=A ₂) | A ₃ | A ₄ | n ₄ ×a ₂ (=A ₅) | A ₆ | n ₂ ×d ₂ | | | |
| | 4 | φ 224 | φ 254 | φ 284 | 8×φ 7 | 196 | 4×57(=228) | 250 | 128 | 3×55(=165) | 184 | 14×φ 7 | | | |
| | 4.5 | φ 250 | φ 280 | φ 310 | 8×φ 10 | 221 | 4×63(=252) | 275 | 144 | 3×59(=177) | 200 | 14×φ 7 | | | |
| | 5 | φ 280 | φ 320 | φ 360 | 8×φ 10 | 245 | 4×71(=284) | 299 | 160 | 3×64(=192) | 216 | 14×φ 7 | | | |
| | 5.6 | φ 315 | φ 355 | φ 395 | 8×φ 10 | 274 | 5×61(=305) | 328 | 179 | 4×53(=212) | 235 | 18×φ 7 | | | |
| | 6.3 | φ 355 | φ 395 | φ 435 | 8×φ 10 | 309 | 5×68(=340) | 365 | 202 | 4×59(=236) | 261 | 18×φ 7 | | | |
| | 机号 No. | 外 形 尺 寸 | | | | | 基 础 尺 寸 | | | | | | 地脚螺栓 (四套) | 重量 kg (不包括 电机) | |
| | | E | F | G | K | M | N | a | b | c | d | e | f | | Md ₁ ×1 |
| | 4 | 132 | 360 | 711 | 287 | 761 | 450 | 200 | 390 | 50 | 300 | 430 | 49 | M12×300 | 50 |
| | 4.5 | 147 | 405 | 799 | 322 | 849 | 500 | 280 | 450 | 50 | 380 | 495 | 55 | M12×300 | 62 |
| | 5 | 165 | 450 | 887 | 359 | 937 | 550 | 350 | 485 | 50 | 450 | 534 | 61 | M12×300 | 78 |
| 5.6 | 185.5 | 504 | 993 | 402 | 1053 | 620 | 450 | 570 | 60 | 570 | 626 | 67.5 | M16×400 | 118 | |
| 6.3 | 209 | 567 | 1117 | 451 | 1167 | 680 | 550 | 720 | 70 | 690 | 780 | 77 | M20×500 | 170 | |

9-19 系列 No.7.1 ~ 16D 离心通风机安装及外形尺寸示意图
 9-26



9-19 系列 No.7.1~16D 离心通风机外形及安装尺寸表

| 机号 No. | 进 口 尺 寸 | | | | 出 口 尺 寸 | | | | | | | | | | | | | |
|-----------|---------------------------------|----------------|--------------------|--------------------------------|--------------------|---|----------------|----------------|---|---------------------------|--------------------------------|------|--------|------|-----|--------|------|-----|
| | D ₁ | D ₂ | D ₃ | n ₁ ×d ₁ | A ₁ | n ₃ ×a ₁ (=A ₂) | A ₃ | A ₄ | n ₄ ×a ₂ (=A ₅) | A ₆ | n ₂ ×d ₂ | | | | | | | |
| 7.1 | Φ 315 | Φ 355 | Φ 395 | 8×φ 10 | 227 | 4×67.5(=270) | 293 | 163 | 3×68(=204) | 232 | 14×φ 10 | | | | | | | |
| 8 | Φ 355 | Φ 395 | Φ 435 | 8×φ 10 | 256 | 4×74(=296) | 322 | 184 | 3×76(=228) | 253 | 14×φ 10 | | | | | | | |
| 9 | Φ 400 | Φ 450 | Φ 500 | 8×φ 12 | 288 | 5×66(=330) | 354 | 207 | 4×63(=252) | 276 | 18×φ 10 | | | | | | | |
| 10 | Φ 450 | Φ 500 | Φ 550 | 8×φ 12 | 320 | 5×72(=360) | 386 | 230 | 4×69(=276) | 299 | 18×φ 10 | | | | | | | |
| 11.2 | Φ 500 | Φ 560 | Φ 620 | 12×φ 12 | 359 | 5×83(=415) | 448 | 258 | 4×79(=316) | 350 | 18×φ 12 | | | | | | | |
| 12.5 | Φ 560 | Φ 620 | Φ 680 | 12×φ 12 | 400 | 6×76(=456) | 489 | 288 | 4×86(=344) | 380 | 20×φ 12 | | | | | | | |
| 14 | Φ 630 | Φ 690 | Φ 752 | 12×φ 12 | 448 | 6×86(=516) | 557 | 322 | 5×81(=405) | 434 | 22×φ 12 | | | | | | | |
| 16 | Φ 710 | Φ 770 | Φ 826 | 16×φ 12 | 512 | 7×82(=574) | 621 | 368 | 5×88(=440) | 484 | 24×φ 12 | | | | | | | |
| 机号 No. | 外 形 尺 寸 | | | | | | | 基 础 尺 寸 | | | | | | | | | | |
| | E | F | G | K | L | M | H | a | b | c | d | e | f | g | h | | | |
| 7.1 | 177 | 474 | 1051 | 509 | 1230 | 1279 | 280 | 520 | 440 | 300 | 590 | 510 | 193 | 251 | 61 | | | |
| 8 | 200 | 534 | 1185 | 572 | 1256 | 1431 | 280 | 520 | 440 | 303 | 590 | 510 | 207 | 265 | 61 | | | |
| 9 | 226 | 599 | 1330 | 644 | 1289 | 1589 | 280 | 520 | 440 | 310 | 590 | 510 | 223 | 281 | 61 | | | |
| 10 | 250 | 664 | 1472 | 715 | 1317 | 1748 | 280 | 520 | 440 | 314 | 590 | 510 | 239 | 297 | 61 | | | |
| 11.2 | 280 | 744 | 1652 | 801 | 1565 | 1950 | 375 | 700 | 620 | 366 | 780 | 700 | 261 | 317 | 61 | | | |
| 12.5 | 313 | 828 | 1841 | 895 | 1603 | 2159 | 375 | 700 | 620 | 372 | 780 | 700 | 282 | 338 | 61 | | | |
| 14 | 350 | 929 | 2061 | 1001 | 2031 | 2403 | 500 | 900 | 900 | 478 | 1000 | 1000 | 336 | 410 | 112 | | | |
| 16 | 400 | 1058 | 2351 | 1144 | 2090 | 2738 | 500 | 900 | 900 | 486 | 1000 | 1000 | 372 | 446 | 112 | | | |
| 机号 No. | 轴承座 地脚螺栓 (四套) | | 机壳 地脚螺栓 (四套) | | 电机 地脚螺栓 (四套) | | 滚动轴承 | | | 重量 kg (不包括电机 及地脚螺栓) | | | | | | | | |
| | M24×630 | | M20×500 | | 见性能表 | | 2316 | | | 448 | | | | | | | | |
| 8 | M24×630 | | M20×500 | | 见性能表 | | 2316 | | | 482 | | | | | | | | |
| 9 | M24×630 | | M20×500 | | 见性能表 | | 2316 | | | 573 | | | | | | | | |
| 10 | M24×630 | | M20×500 | | 见性能表 | | 2316 | | | 627 | | | | | | | | |
| 11.2 | M30×800 | | M20×500 | | 见性能表 | | 22320C | | | 1037 | | | | | | | | |
| 12.5 | M30×800 | | M20×500 | | 见性能表 | | 22320C | | | 1142 | | | | | | | | |
| 14 | M36×1000 | | M30×800 | | 见性能表 | | 22324C | | | 1979 | | | | | | | | |
| 16 | M36×1000 | | M30×800 | | 见性能表 | | 22324C | | | 2785 | | | | | | | | |
| 机号 No. | 各 出 风 口 方 向 机 壳 中 心 高 及 基 础 尺 寸 | | | | | | | | | | | | | | | | | |
| | 顺 0° | | | 顺 45° | | | 顺 90° | | | 顺 135° | | | 顺 180° | | | 顺 225° | | |
| | N | i | j | N | i | j | N | i | j | N | i | j | N | i | j | N | i | j |
| 7.1 | 690 | 220 | 380 | 630 | 450 | 350 | 610 | 450 | 400 | 580 | 450 | 400 | 560 | 450 | 400 | 530 | 450 | 450 |
| 8 | 775 | 250 | 460 | 700 | 480 | 480 | 670 | 520 | 440 | 640 | 520 | 450 | 610 | 520 | 460 | 580 | 520 | 480 |
| 9 | 860 | 285 | 520 | 780 | 600 | 500 | 760 | 600 | 500 | 720 | 600 | 550 | 700 | 600 | 500 | 650 | 600 | 580 |
| 10 | 950 | 325 | 580 | 870 | 600 | 600 | 835 | 650 | 550 | 800 | 650 | 550 | 760 | 650 | 550 | 720 | 650 | 600 |
| 11.2 | 1060 | 380 | 750 | 980 | 800 | 680 | 940 | 800 | 600 | 900 | 800 | 700 | 860 | 800 | 700 | 810 | 750 | 750 |
| 12.5 | 1175 | 410 | 770 | 1085 | 900 | 700 | 1035 | 900 | 700 | 990 | 900 | 780 | 945 | 850 | 780 | 900 | 820 | 820 |
| 14 | 1310 | 450 | 800 | 1210 | 950 | 750 | 1160 | 950 | 800 | 1110 | 950 | 850 | 1060 | 900 | 850 | 1000 | 900 | 900 |
| 16 | 1500 | 500 | 900 | 1380 | 1000 | 960 | 1320 | 1040 | 880 | 1260 | 1040 | 880 | 1190 | 1040 | 900 | 1140 | 1040 | 960 |

9-26 系列 No.7.1~16D 离心通风机外形及安装尺寸表

| 机号 No. | 进 口 尺 寸 | | | | 出 口 尺 寸 | | | | | | | | | | | | | |
|-----------|---------------------------------|----------------|--------------------|--------------------------------|----------------|---|----------------|----------------|---|----------------|--------------------------------|---------------------------|--------|------|------|--------|------|-----|
| | D ₁ | D ₂ | D ₃ | n ₁ ×d ₁ | A ₁ | n ₃ ×a ₁ (=A ₂) | A ₃ | A ₄ | n ₄ ×a ₂ (=A ₅) | A ₆ | n ₂ ×d ₂ | | | | | | | |
| 7.1 | 400 | 450 | 500 | 8×Φ12 | 348 | 6×65(=390) | 414 | 227 | 4×68(=272) | 296 | 20×Φ10 | | | | | | | |
| 8 | 450 | 500 | 550 | 8×Φ12 | 392 | 6×72(=432) | 458 | 256 | 4×75(=300) | 325 | 20×Φ10 | | | | | | | |
| 9 | 500 | 560 | 620 | 12×Φ12 | 441 | 6×80.5(=483) | 507 | 288 | 4×82.5(=330) | 357 | 20×Φ10 | | | | | | | |
| 10 | 560 | 620 | 680 | 12×Φ12 | 490 | 6×88(=528) | 556 | 320 | 4×89(=356) | 389 | 20×Φ10 | | | | | | | |
| 11.2 | 630 | 690 | 750 | 12×Φ12 | 549 | 8×75(=600) | 638 | 358 | 5×82(=410) | 450 | 26×Φ12 | | | | | | | |
| 12.5 | 710 | 770 | 830 | 16×Φ12 | 613 | 8×83(=664) | 702 | 400 | 6×76(=456) | 492 | 28×Φ12 | | | | | | | |
| 14 | 800 | 860 | 920 | 16×Φ12 | 686 | 9×83(=747) | 795 | 448 | 6×86(=516) | 564 | 30×Φ12 | | | | | | | |
| 16 | 900 | 970 | 1040 | 16×Φ15 | 784 | 10×84(=840) | 893 | 512 | 7×84(=588) | 628 | 34×Φ12 | | | | | | | |
| 机号 No. | 外 形 尺 寸 | | | | | | 基 础 尺 寸 | | | | | | | | | | | |
| | E | F | G | K | L | M | H | a | b | c | d | e | f | g | h | | | |
| 7.1 | 237 | 639 | 1259 | 509 | 1317 | 1370 | 280 | 520 | 440 | 327 | 590 | 510 | 242 | 298 | 61 | | | |
| 8 | 262 | 720 | 1421 | 574 | 1349 | 1531 | 280 | 520 | 440 | 334 | 590 | 510 | 263 | 319 | 61 | | | |
| 9 | 294 | 810 | 1597 | 646 | 1392 | 1702 | 280 | 520 | 440 | 346 | 590 | 510 | 286 | 342 | 61 | | | |
| 10 | 327 | 900 | 1815 | 717 | 1433 | 1873 | 280 | 520 | 440 | 353 | 590 | 510 | 309 | 365 | 61 | | | |
| 11.2 | 367 | 1008 | 1985 | 803 | 1694 | 2090 | 375 | 700 | 620 | 409 | 780 | 700 | 340 | 396 | 61 | | | |
| 12.5 | 418 | 1125 | 2215 | 896 | 1755 | 2325 | 375 | 700 | 620 | 420 | 780 | 700 | 370 | 426 | 61 | | | |
| 14 | 469 | 1260 | 2481 | 1003 | 2199 | 2562 | 500 | 900 | 900 | 523 | 1000 | 1000 | 438 | 538 | 112 | | | |
| 16 | 524 | 1440 | 2831 | 1147 | 2270 | 2946 | 500 | 900 | 900 | 546 | 1000 | 1000 | 484 | 558 | 112 | | | |
| 机号 No. | 轴承座 地脚螺栓 (四套) | | 机壳 地脚螺栓 (四套) | | | 电机 地脚螺栓 (四套) | | | 滚动轴承 | | | 重量 kg (不包括电机及地 脚螺栓) | | | | | | |
| | M24×630 | | M20×500 | | | 见性能表 | | | 2316 | | | 501 | | | | | | |
| 8 | M24×630 | | M20×500 | | | 见性能表 | | | 2316 | | | 542 | | | | | | |
| 9 | M24×630 | | M20×500 | | | 见性能表 | | | 2316 | | | 644 | | | | | | |
| 10 | M24×630 | | M20×500 | | | 见性能表 | | | 2316 | | | 687 | | | | | | |
| 11.2 | M30×800 | | M20×500 | | | 见性能表 | | | 22320C | | | 1150 | | | | | | |
| 12.5 | M30×800 | | M20×500 | | | 见性能表 | | | 22320C | | | 1250 | | | | | | |
| 14 | M36×1000 | | M30×800 | | | 见性能表 | | | 22324C | | | 2110 | | | | | | |
| 16 | M36×1000 | | M30×800 | | | 见性能表 | | | 22324C | | | 2670 | | | | | | |
| 机号 No. | 各 出 风 口 方 向 机 壳 中 心 高 及 基 础 尺 寸 | | | | | | | | | | | | | | | | | |
| | 顺 0° | | | 顺 45° | | | 顺 90° | | | 顺 135° | | | 顺 180° | | | 顺 225° | | |
| | N | I | J | N | I | J | N | I | J | N | I | J | N | I | J | N | I | J |
| 7.1 | 755 | 320 | 420 | 690 | 520 | 420 | 655 | 520 | 420 | 620 | 500 | 420 | 585 | 500 | 480 | 550 | 480 | 480 |
| 8 | 845 | 350 | 500 | 790 | 600 | 500 | 730 | 600 | 500 | 700 | 600 | 500 | 650 | 600 | 500 | 610 | 550 | 550 |
| 9 | 940 | 400 | 550 | 865 | 650 | 600 | 820 | 650 | 550 | 775 | 650 | 550 | 730 | 650 | 550 | 685 | 600 | 580 |
| 10 | 1035 | 470 | 600 | 950 | 700 | 650 | 900 | 700 | 600 | 850 | 700 | 600 | 800 | 700 | 600 | 750 | 650 | 600 |
| 11.2 | 1160 | 550 | 700 | 1070 | 850 | 700 | 1030 | 850 | 700 | 960 | 850 | 700 | 900 | 800 | 700 | 850 | 750 | 700 |
| 12.5 | 1285 | 600 | 800 | 1190 | 940 | 740 | 1125 | 940 | 740 | 1160 | 940 | 740 | 1000 | 900 | 740 | 940 | 820 | 800 |
| 14 | 1420 | 650 | 800 | 1330 | 950 | 800 | 1250 | 950 | 800 | 1200 | 950 | 850 | 1120 | 900 | 850 | 1080 | 900 | 900 |
| 16 | 1650 | 700 | 950 | 1500 | 1200 | 1000 | 1420 | 1100 | 900 | 1350 | 1100 | 950 | 1250 | 1100 | 1000 | 1200 | 1000 | 900 |